

Körperschalllautsprecher EXT-15017K06

Art. Nr. 105006

Specification:

NO	ITEM	SPECIFICATION
1	NOMINAL IMPEDANCE	4Ω ± 15 % at 1V,300HZ (D.C.R:3.6Ω±10%)
2	RESONANCE FREQUENCY	83Hz ± 20% Hz at 1V (LMS)
3	FREQUENCY RANGE	F0 ~ 1K Hz -10dB
4	SOUND PRESSURE LEVEL	83dB / 1W / 1M ± 3dB at 100,200,500,1KHz
5	POWER HANDLING CAPACITY	NORMAL INPUT : 50W
		MAX INPUT : 100 W
6	BUZZ & RATTLE TEST	10V (20Hz~1KHz 2.5Sec)
7	POLARITY	When a positive D.C voltage is applied to the Voice Coil terminal marked to Diaphragm should move to the front.
8	MAGNET	NDFEB: Φ 30
	COMPUTER QC SCOPE	80Hz-1KHz±3dB (MLSSA TEST SYSTEM)
9	FLUX DENSITY	11000GAUSS ± 10%
10	WEIGHT OF SPEAKER	400g ± 10%
11	VOICE COIL SIZE	Φ32mm
12	INSULATION RESISTANCE	1MΩ or more (DC 100V Terminal /Frame)
13	POWER TEST	IEC 268-5 14.14V 48HR (GB)
14	HEAT RESISTANCE	70 ± 2°C 20-50% 48HR (GB)
15	HUMIDITY RESISTANCE	40 ± 2°C 90-95% Duration 48HR (GB)
16	LOW TEMPERATURE	-20±2°C 20-50% 48HR (GB)
17	DROPPING TEST	600±25mm 60°±5° (GB)

Körperschalllautsprecher EXT-15017K06

Art. Nr. 105006

Sample Testing Report:

NO	ITEM	TESTING CONDITIONS	No1	No2	No3	No4	Result
1	Speaker Size	Out Diameter $\Phi 152.0 \pm 0.3 \text{mm}$	152.0	152.0	/	/	OK
2	Impedance	$4 \Omega \pm 15 \%$ At 1V 300Hz (D.C.R : $3.6 \Omega \pm 10\%$)	3.6	3.6	/	/	OK
3	Resonance Frequency	$83 \text{Hz} \pm 20\%$ (LMS)	83	83	/	/	OK
4	Sound Pressure Level	$83 \text{dB} \pm 3 \text{dB}$ 1W / 1M At 100,200,500,1KHz	83	83	/	/	OK
5	Buzz & Rattle Test	Must Be Normal: Wave 10V (20Hz To 1KHz)	√	√	/	/	OK
6	Polarity	When a positive D.C voltage is applied To the voice coil terminal marked to Diaphragm should move to the front	√	√	/	/	OK
7	Flux Density	$11000 \text{GAUSS} \pm 10\%$	11000	11100	/	/	OK
8	Power Test	IEC 268-5 14.14V 48HR (GB)	√	√	/	/	OK
9	Heat Resistance	$70 \pm 2^\circ \text{C}$ 20-50% 48HR (GB)	√	√	/	/	OK
10	Humidity Resistance	$40 \pm 2^\circ \text{C}$ 90-95% DURATION 48HR (GB)	√	√	/	/	OK
11	Low Temperature	$-20 \pm 2^\circ \text{C}$ 20-50% 48HR (GB)	√	√	/	/	OK
12	Dropping Test	$600 \text{mm} \pm 25 \text{mm}$ $60^\circ \pm 5^\circ$ (GB)	√	√	/	/	OK

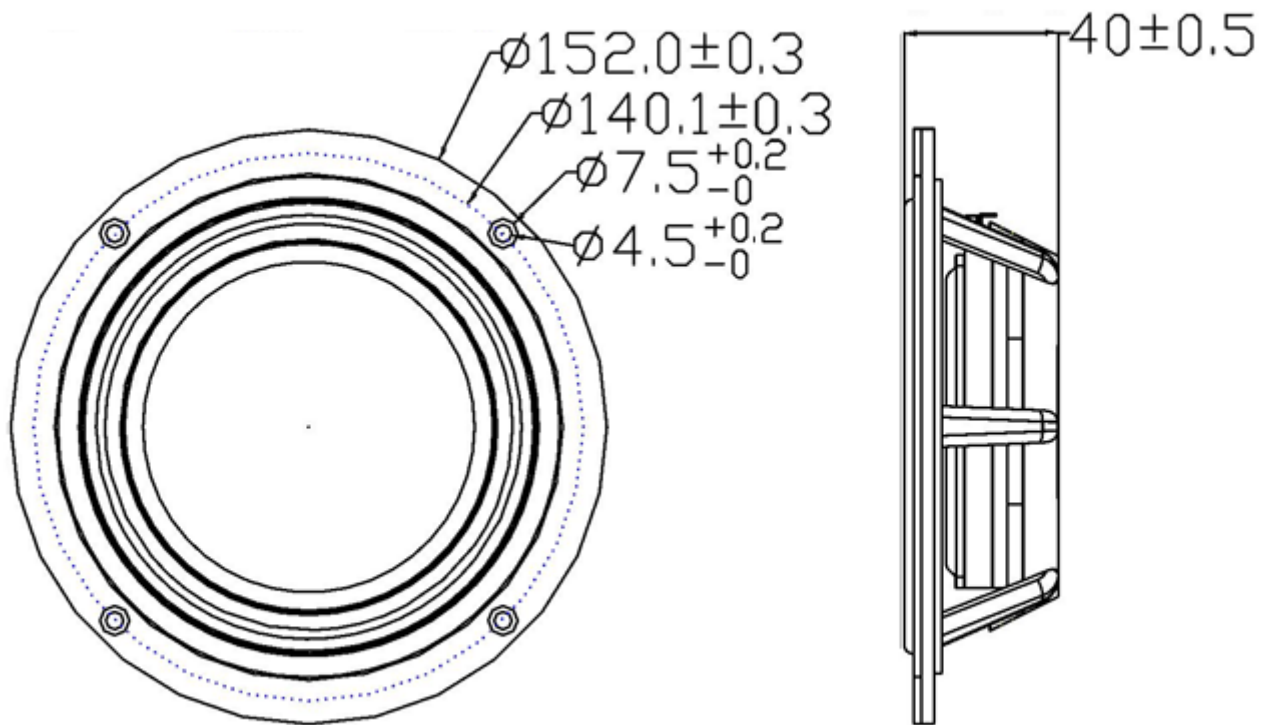
RoHS Substance Confirmation Form:

NO	SUPPLY ITEM		RoHS Substance Inspection Result						Survey Report No
			Cd	Pb	Hg	Cr6+	PBB	PBDE	(6 Material)
	Item	Material	100	1000	1000	1000	1000	1000	ppm
1	磁 铁	NDFEB	ND	ND	ND	Negative	ND	ND	ECL01I001310004C
			OK	OK	OK	OK	OK	OK	2016/01/12
2	U 铁	Fe	ND	ND	ND	Negative	ND	ND	CANEC1504032002
			OK	OK	OK	OK	OK	OK	2015/03/27
3	华 司	Fe	ND	ND	ND	Negative	NA	NA	SCL01H014051001C
			OK	OK	OK	OK	NA	NA	2015/03/10
4	支 架	Fe	ND	ND	ND	ND	ND	ND	SCL01H014051001C
			OK	OK	OK	OK	OK	OK	2015/03/10
5	鼓 纸	披纤	NEG	NEG	NEG	NEG	NEG	NEG	DE105752
			OK	OK	OK	OK	OK	OK	2016/01/21
6	音 圈	SV	ND	ND	ND	Negative	ND	ND	CE/2010/65696
			OK	OK	OK	OK	OK	OK	2015/0702
		Kapton	ND	ND	ND	ND	ND	ND	KA/2015/91132
			OK	OK	OK	OK	OK	OK	2015/09/25
7	弹 波	/	ND	ND	ND	ND	ND	ND	CEL01I002880001
			OK	OK	OK	OK	OK	OK	2016/01/18
8	端 子	Cu	ND	ND	ND	Negative	ND	ND	CANEC150048631
			OK	OK	OK	OK	OK	OK	2015/01/15
9	胶 水	GF6000	ND	ND	ND	ND	ND	ND	CE/2015/32663B
			OK	OK	OK	OK	OK	OK	2015/3/17

Körperschalllautsprecher EXT-15017K06

Art. Nr. 105006

Dimension:



Körperschalllautsprecher EXT-15017K06

Art. Nr. 105006

